

# SPEED REDUCER



## NMRV Worm Gear Reducer

Introduction	...2
Performance	...3
Dimension	...4 -- 5
Combination	...6
Accessories	...7 -- 8
Mounting Position	...9



## VF Worm Gear Reducer

Dimension	...10
-----------	-------



## PC Pre-stage Helical Gear Unit

Performance	...11
Dimension	...12
Mounting Position	...13



## UDL Adjustable Speed Variator

Performance	...14 -- 15
Dimension	...16

# NMRV/NRV WORM GEAR REDUCER

Our company, **Zhejiang Taizhou Wangye Power Co., Ltd.** Is a leading manufacturer and exporter of various kinds of small power transmission products in China. For many years experiences in these lines, with many engineers and hard-working workers' help, we create NMRV/NRV Worm Reducers which are very nice products in world to meet different requirements of customers.

NMRV/NRV Worm Reducers are maintaince-free, have low occurrences of oil-leaks, run at higher efficiency and are easier to operate.

We use two bearings on the input shaft to improve their performance, harden all worm shafts to prolong their lives, and O-rings & Painting will keep Worm Reducers away from Oil-leakage & corrosion.

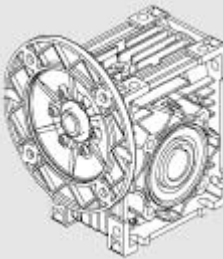
High quality Aluminum alloy housing allows small sizes to be lighter than Cast Iron ones on weight.

They are widely used in different industries worldwide!



## Nomenclature

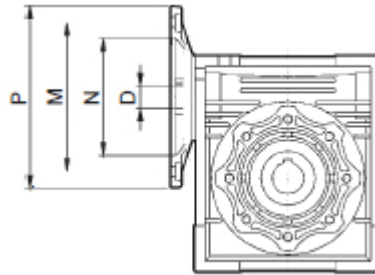
### Single Worm Geared motor / Gearbox

NMRV	063	40	FA	80	B3
Model	Size	Ratio	Accessories	Motor	Mounting
 NMRV	Aluminum housing	5	<b>E:</b> High Speed Extension Shaft  <b>SZ:</b> Single Output Shaft <b>DZ:</b> Double Output Shaft  <b>FA/FB/FC/FD/FE:</b> Output Flange  <b>TA:</b> Torque Arm	Power	B3
	025	7.5		B6	
	030	10		B7	
	040	15		B8	
	050	20		V5	
	063	25		V6	
	075	30			
	090	40			
 NRV	Cast Iron housing	50			
	60	60			
	110	80			
	130	100			
	150				

## Predisposition

+ Pm=P, Dm=D

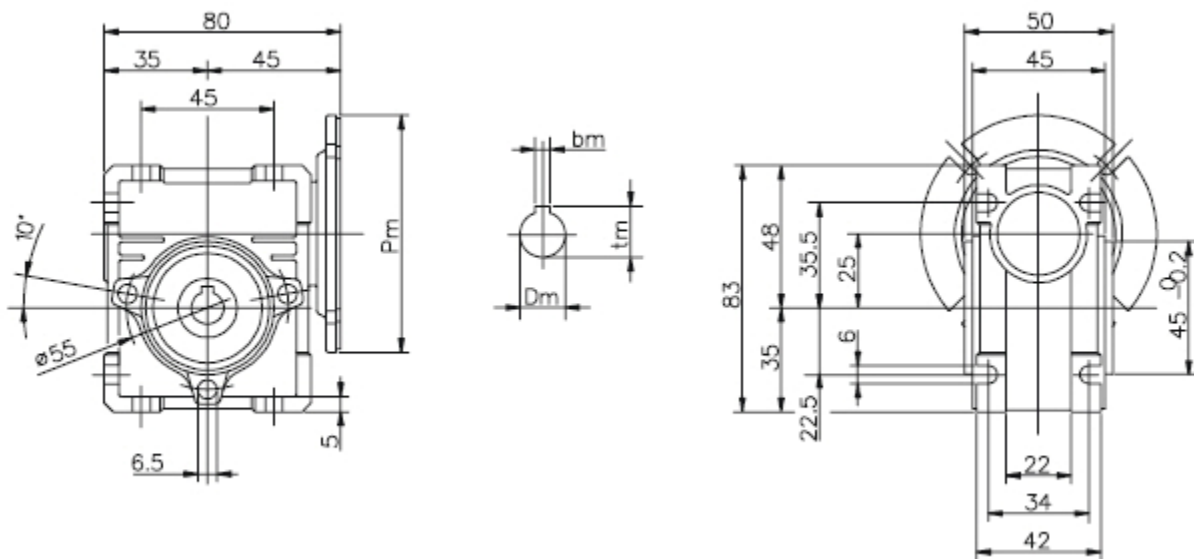
+ Pm, Dm are at Page.4



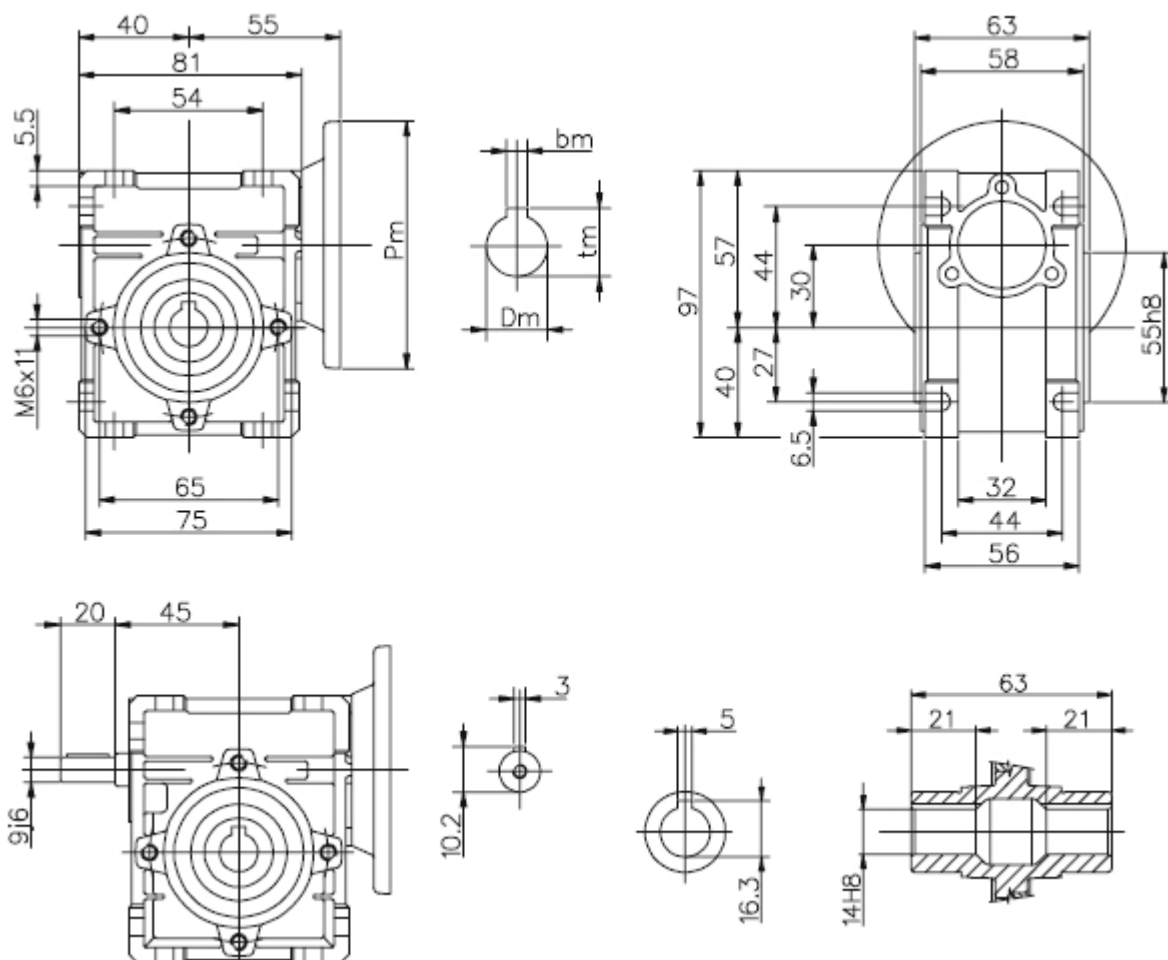
Size	PAM IEC	N	M	P	D											
					5	7.5	10	15	20	25	30	40	50	60	80	100
025	56B14	50	65	80	9	9	9	9	9	-	9	9	9	9	-	-
030	63B5	95	115	140	11	11	11	11	11	11	11	11	11	-	-	-
	63B14	60	75	90												
	56B5	80	100	120	9	9	9	9	9	9	9	9	9	9	9	-
	56B14	50	65	80												
040	71B5	110	130	160	14	14	14	14	14	14	14	14	-	-	-	-
	71B14	70	85	105												
	63B5	95	115	140	11	11	11	11	11	11	11	11	11	11	11	11
	63B14	60	75	90												
	56B5	80	100	120	-	-	-	-	-	-	-	-	9	9	9	9
050	80B5	130	165	200	19	19	19	19	19	19	19	-	-	-	-	-
	80B14	80	100	120												
	71B5	110	130	160	14	14	14	14	14	14	14	14	14	14	14	-
	71B14	70	85	105												
063	63B5	95	115	140	-	-	-	-	-	-	-	11	11	11	11	11
	90B5	130	165	200	-	24	24	24	24	24	24	-	-	-	-	-
	90B14	95	115	140												
	80B5	130	165	200	-	19	19	19	19	19	19	19	19	19	-	-
	80B14	80	100	120												
	71B5	110	130	160	-	-	-	-	-	-	-	14	14	14	14	14
075	71B14	70	85	105												
	100/112B5	180	215	250	-	28	28	28	-	-	-	-	-	-	-	-
	100/112B14	110	130	160												
	90B5	130	165	200	-	24	24	24	24	24	24	24	-	-	-	-
	90B14	95	115	140												
	80B5	130	165	200	-	-	-	-	19	19	19	19	19	19	19	19
	80B14	80	100	120												
090	71B5	110	130	160	-	-	-	-	-	-	-	-	14	14	14	14
	100/112B5	180	215	250	-	28	28	28	28	28	28	-	-	-	-	-
	100/112B14	110	130	160												
	90B5	130	165	200	-	24	24	24	24	24	24	24	24	24	-	-
	90B14	95	115	140												
	80B5	130	165	200	-	-	-	-	-	-	-	19	19	19	19	19
110	80B14	80	100	120												
	132B5	230	265	300	-	38*	38*	38*	38*	-	-	-	-	-	-	-
	100/112B5	180	215	250	-	28	28	28	28	28	28	28	28	28	-	-
	90B5	130	165	200	-	-	-	-	-	24	24	24	24	24	24	24
130	80B5	130	165	200	-	-	-	-	-	-	-	-	-	-	19	19
	132B5	230	265	300	-	38*	38*	38*	38*	38*	38*	-	-	-	-	-
	100/112B5	180	215	250	-	-	-	-	-	28	28	28	28	28	28	28
150	90B5	130	165	200	-	-	-	-	-	-	-	-	-	-	24	24
	160B5	250	300	350	-	42	42	42	42	42	-	-	-	-	-	-
	132B5	230	265	300	-	-	-	-	38	38	38	38	38	38	-	-
	100/112B5	180	215	250	-	-	-	-	-	-	-	-	28	28	28	28

## Dimensions

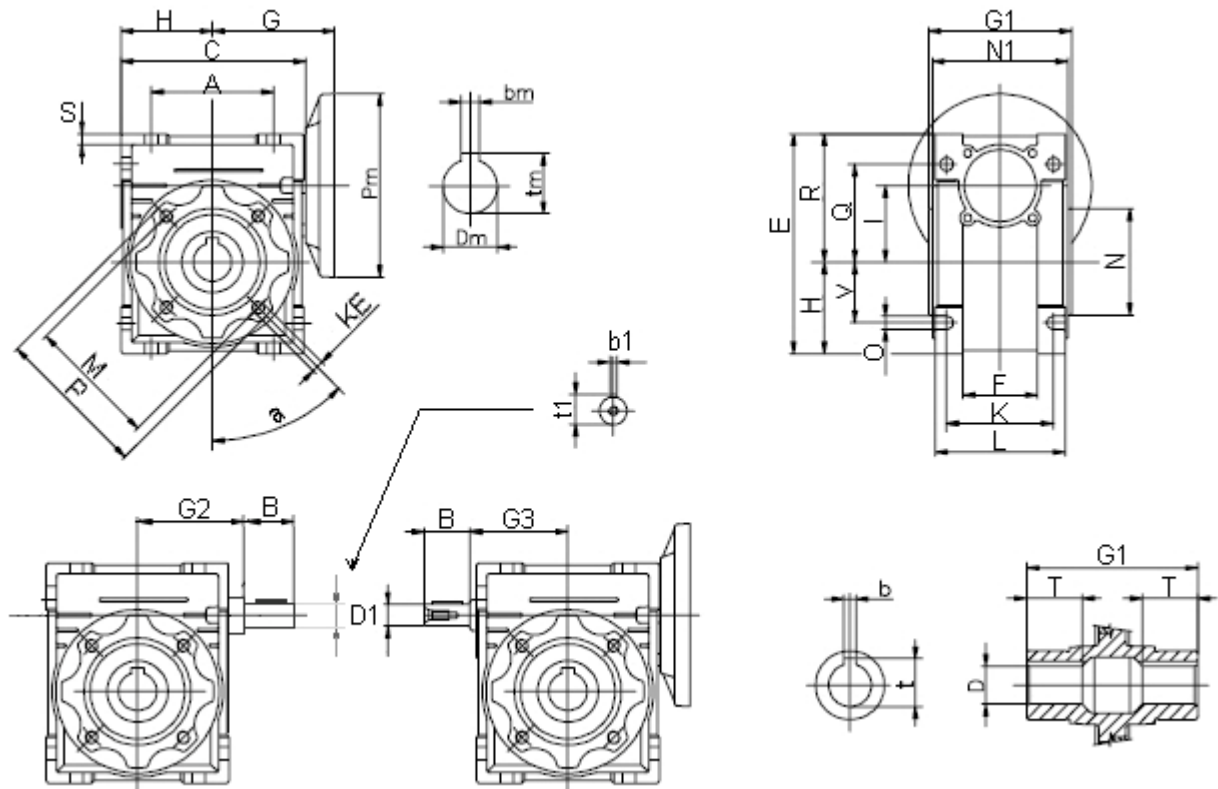
### NMRV025



### NMRV030



## Dimensions



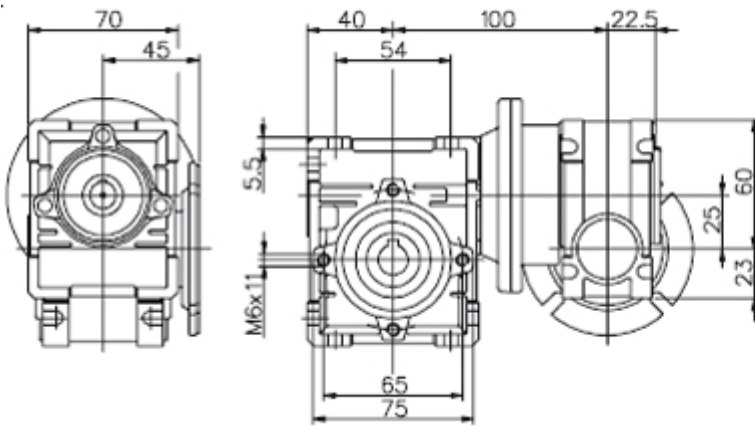
	S	A	C	H	G	P	M	a	KE	E	R	Q	V	I	O	G1	N1
<b>040</b>	6.5	70	100	50	70	87	75	45'	M6*8x4	121.5	71.5	55	35	40	6.5	78	73
<b>050</b>	7	80	120	60	80	100	85	45'	M8*10x4	144	84	64	40	50	8.5	92	87
<b>063</b>	8	100	144	72	95	110	95	45'	M8*14x8	174	102	80	50	63	8.5	112	106
<b>075</b>	10	120	172	86	112.5	140	115	45'	M8*14x8	205	119	93	60	75	11	120	114
<b>090</b>	11	140	208	103	129.5	160	130	45'	M10*18x8	238	135	102	70	90	13	140	134
<b>110</b>	14	170	252.5	127.5	160	200	165	45'	M10*18x8	295	167.5	125	85	110	14	155	148
<b>130</b>	15	200	292.5	147.5	180	250	215	45'	M12*21x8	335	187.5	140	100	130	16	170	162
<b>150</b>	18	240	340	170	210	250	215	45'	M12*21x8	400	230	180	120	150	18	200	192

	F	K	L	N	G2	G3	B	b1	t1	D1 (j6)	T	b	t	D (H8)
<b>040</b>	43	60	71	60h8	60	53	23	4	12.5	11	26	6	20.8 / (21.8)	18 / (19)
<b>050</b>	49	70	85	70h8	74	64	30	5	16	14	30	8	28.3 / (27.3)	25 / (24)
<b>063</b>	67	85	103	80h8	90	75	40	6	21.5	19	36	8	28.3 / (31.3)	25 / (28)
<b>075</b>	72	90	112	95h8	105	90	50	8	27	24	40	8 / 10	31.3 / (38.3)	28 / (35)
<b>090</b>	74	100	130	110h8	125	108	50	8	27	24	45	10	38.3 / (41.3)	35 / (38)
<b>110</b>	--	115	144	130h8	142	135	60	8	31	28	50	12	45.3	42
<b>130</b>	--	120	155	180h8	162	155	80	8	33	30	60	14	48.8	45
<b>150</b>	--	145	185	180h8	195	175	80	10	38	35	72.5	14	53.8	50

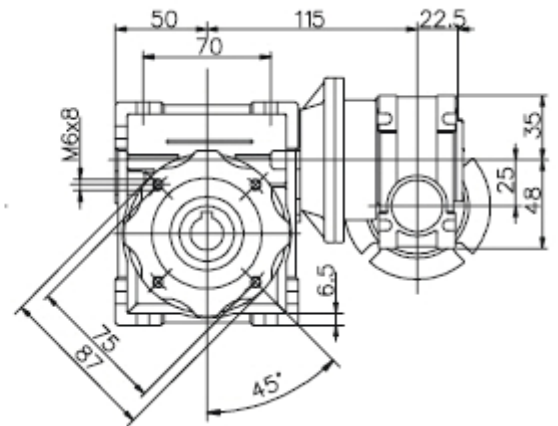
\*size 025 does not have NRV type.

## Dimensions

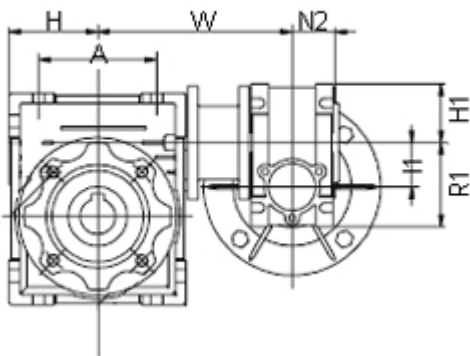
### NMRV+NMRV



NMRV025+NMRV030

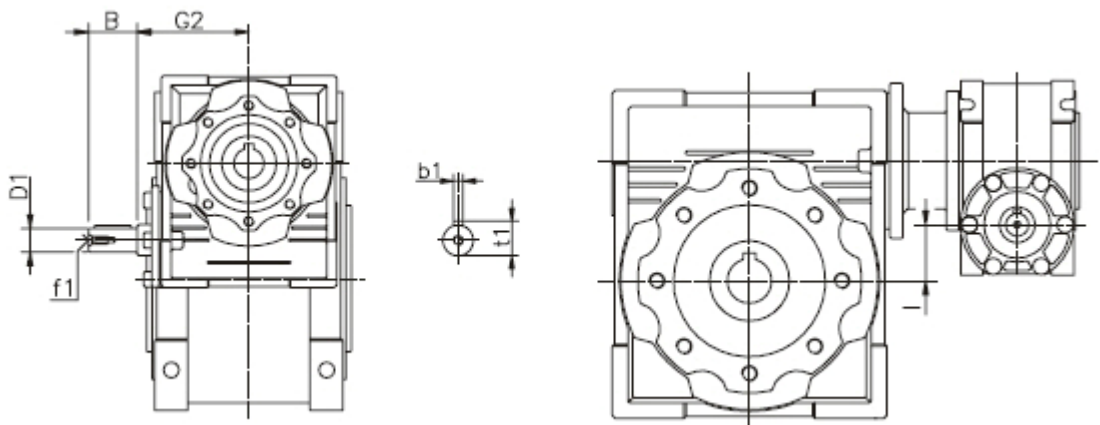


NMRV025+NMRV040



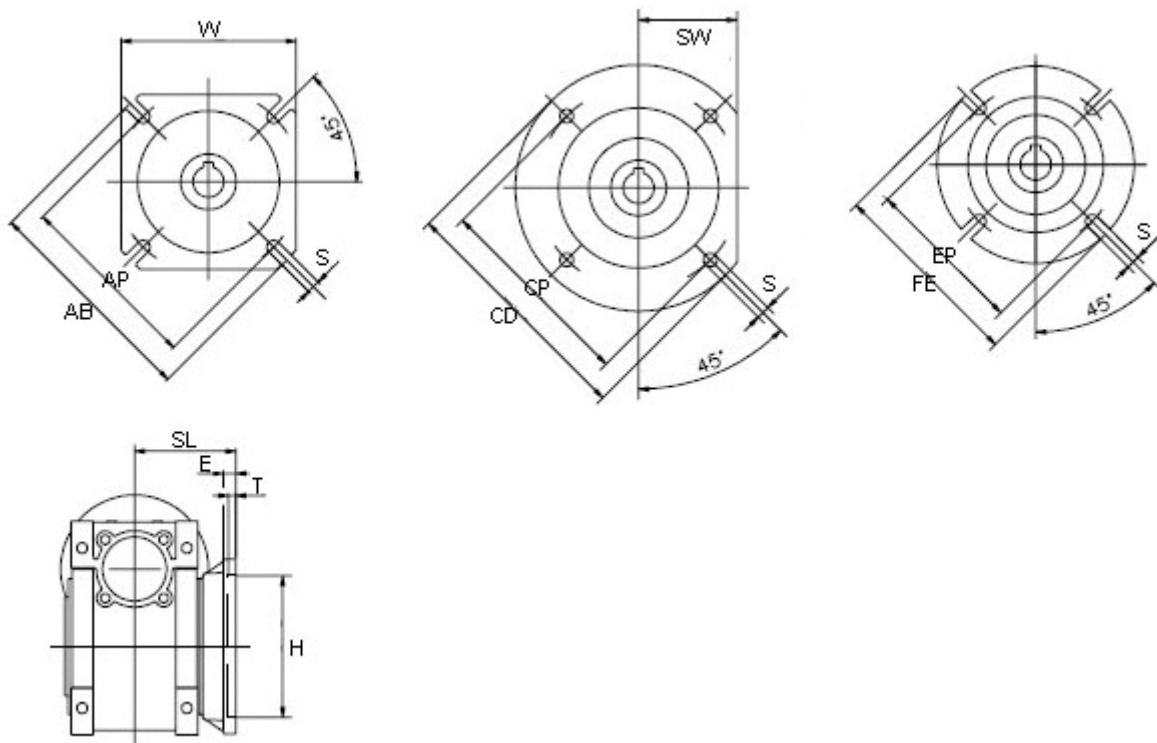
NMRV+NMRV	A	H	W	N2	I1	H1	R1
<b>030+040</b>	70	50	120	29	30	40	57
<b>030+050</b>	80	60	130	29	30	40	57
<b>030+063</b>	100	72	145	29	30	40	57
<b>040+075</b>	120	86	165	36.5	40	50	71.5
<b>040+090</b>	140	103	182	36.5	40	50	71.5
<b>050+110</b>	170	127.5	225	43.5	50	60	84
<b>063+130</b>	200	147.5	245	53	63	72	102
<b>063+150</b>	240	170	275	53	63	72	102

### NRV+NMRV



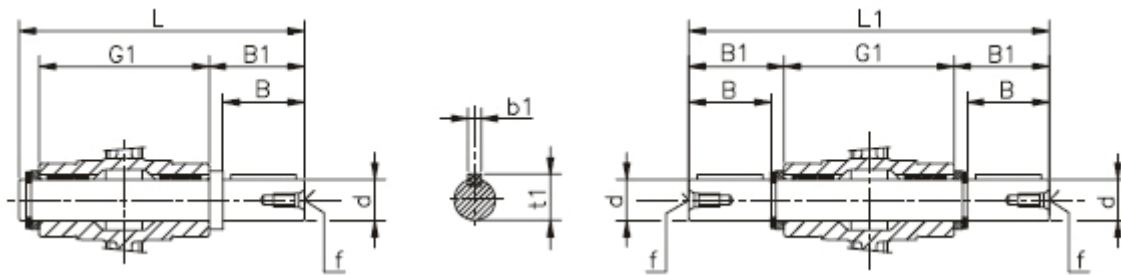
NRV+NMRV	B	D1 (j6)	G2	I	b1	f1	t1
<b>030+040</b>	20	9	51	10	3	--	10.2
<b>030+050</b>	20	9	51	20	3	--	10.2
<b>030+063</b>	20	9	51	33	3	--	10.2
<b>040+075</b>	23	11	60	35	4	--	12.5
<b>040+090</b>	23	11	60	50	4	--	12.5
<b>050+110</b>	30	14	74	60	5	M6	16
<b>063+130</b>	40	19	90	67	6	M6	21.5
<b>063+150</b>	40	19	90	87	6	M6	21.5

## Output Flange



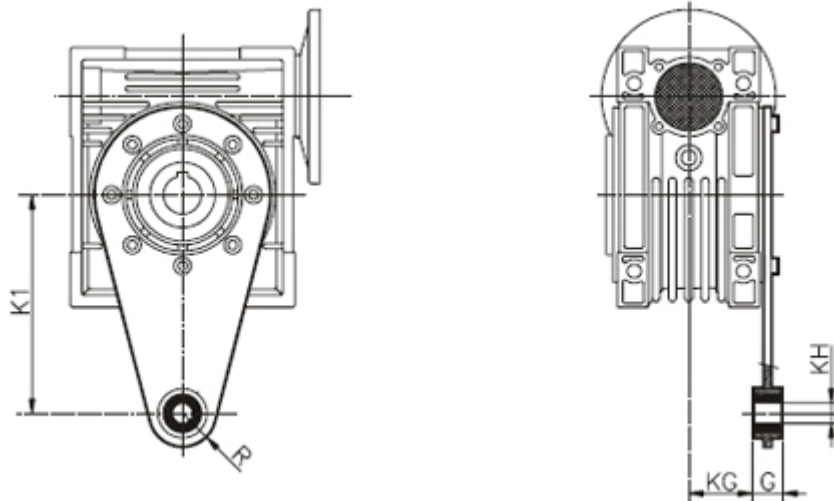
NMRV	Output Flange	S	AB	AP	W	CD	CP	SW	FE	EP	SL	E	T	H (H8)
025	FA	6.5	75	55	70						45	6	3	40
030	FA	6.5	80	68	70						54.5	6	4	50
040	FA	9	110	80	95						67	7	4	60
	FB	9	110	80	95						97	7	4	60
	FC	9.5				140	115	56			80	9	5	95
	FD	9				120	100	50			58	12	5	80
050	FA	11	125	90	110						90	9	5	70
	FB	11	125	90	110						120	9	5	70
	FC	9.5				160	130	66			89	10	5	110
	FD	11				140	115	60			72	14.5	5	95
063	FA	11	180	150	142						82	10	6	115
	FB	11	180	150	142						112	10	6	115
	FC	11				200	165	80			98	10	5	130
	FD	11				200	165	80			107	10	5	130
	FE	11							160	130	80.5	16.5	5	110
075	FA	14	200	165	170						111	13	6	130
	FB	11							160	130	90	13	6	110
090	FA	14	210	175	200						111	13	6	152
	FB	14				250	215	105			122	18	6	180
	FC	11							200	165	110	17	6	130
	FD	14	210	175	200						151	13	6	152
110	FA	14	280	230	260						131	15	6	170
	FB	14	280	230	260						180	15	6	170
130	FA	16	320	255	290						140	15	6	180
150	FA	16	320	255	290						155	15	6	180

## Output Shaft



Size	d	B	B1	G1	L	L1	f	b1	t1
<b>025</b>	11 g6	23	25.5	50	81	101	--	4	12.5
<b>030</b>	14 h6	30	32.5	63	102	128	M6	5	16
<b>040</b>	18 h6	40	43	78	128	164	M6	6	20.5
<b>050</b>	25 h6	50	53.5	92	153	199	M10	8	28
<b>063</b>	25 h6	50	53.5	112	173	219	M10	8	28
<b>075</b>	28 h6	60	63.5	120	192	247	M10	8	31
<b>090</b>	35 h6	80	84.5	140	234	309	M12	10	38
<b>110</b>	42 h6	80	84.5	155	249	324	M16	12	45
<b>130</b>	45 h6	80	85	170	265	340	M16	14	48.5
<b>150</b>	50 h6	82	87	200	297	374	M16	14	53.5

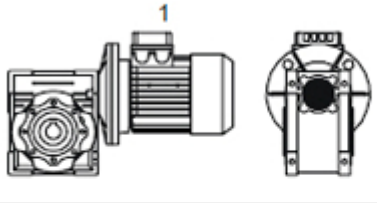
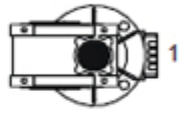
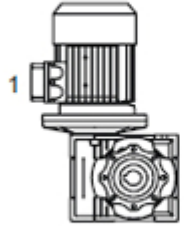
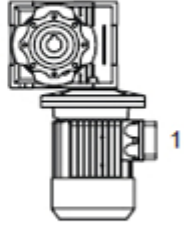
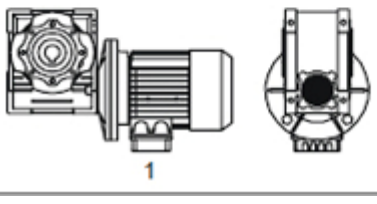
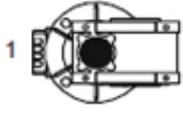
## Torque Arm



Size	K1	G	KG	KH	R
<b>025</b>	70	14	17.5	8	15
<b>030</b>	85	14	24	8	15
<b>040</b>	100	14	31.5	10	18
<b>050</b>	100	14	38.5	10	18
<b>063</b>	150	14	4	10	18
<b>075</b>	200	25	47.5	20	30
<b>090</b>	200	25	57.5	20	30
<b>110</b>	250	30	62	25	35
<b>130</b>	250	30	69	25	35
<b>150</b>	250	30	84	25	35

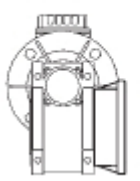
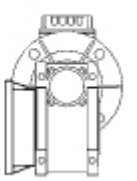


## Mounting Position

NMRV - NRV			
B3	B6	V5	V6
			
			

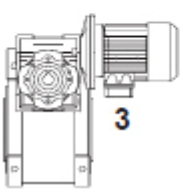
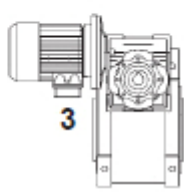
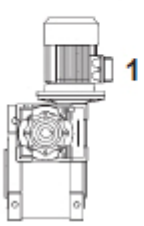
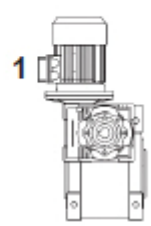
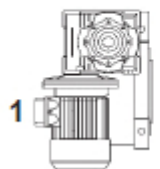
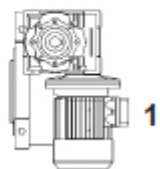
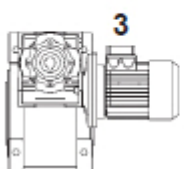
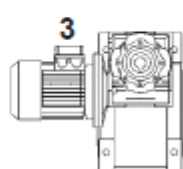
- Unless specified otherwise, the standard positions are B3.

## Flange F -- FL

F1 / FL1	F2 / FL2
	

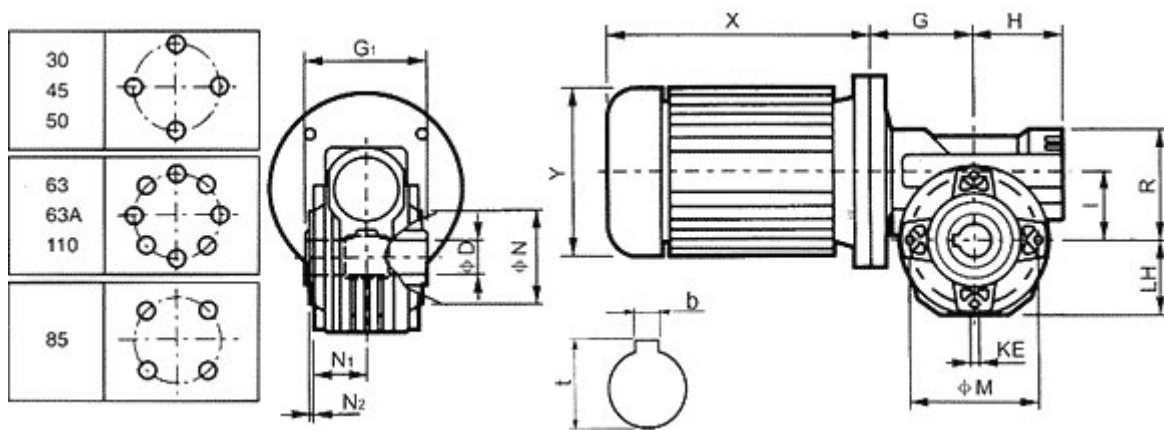
- Unless specified otherwise, the reduction unit is supplied with the flange in pos. F1 / FL1 referred to pos. B3.

## Execution

NMRV-NMRV / NRV-NMRV			
AS1	AS2	VS1	VS2
			
			

- Unless otherwise specified at the time of order, combination groups are supplied in version BS2.

## Dimensions



Size	B	G	G1	G2	H	I	LH	M	N	N1	N2	KE	R
<b>30</b>	20	62.5	55	58	46	30	39	65	30	30	2	4-M6x9	51
<b>45</b>	30	74	65	68	55	45	49	65	35	35	2	4-M6x14	72
<b>50</b>	30	81.5	81	74.5	65	50	54.5	94	38	38	3	4-M6x9	81
<b>63</b>	45	99.5	120	93	79	63	70	90	45	45	5	8-M8x17	100
<b>63A</b>	45	99.5	120	93	79	63	70	90	45	45	5	8-M8x17	100
<b>85</b>	50	124	135	112	98	85	94.5	130	64	64	3.5	4-M10x18	138
<b>110</b>	56	148	155	138	125	110	120	165	74	74	3.5	8-M12x30	170



**Reely Yam (Mr.)**

Export Manager

**Zhejiang Taizhou Wangye Power Co., Ltd.**

Ma'anshan, North Huangyan District,  
Taizhou, Zhejiang,  
318020  
China

tel: (86)-576-84089181

fax: (86)-576-84065770

mobile: (86)-13456617006

skype: renlinhua@gmail.com

MSN: renlinhua@gmail.com

email: renlinhua@gmail.com

email: reely\_yam@wangyemotor.com

<http://www.cn-motors.com>