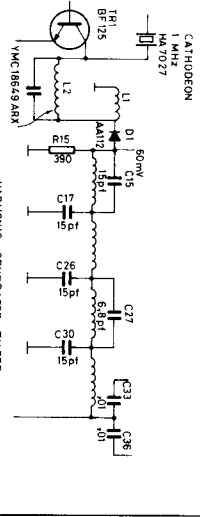
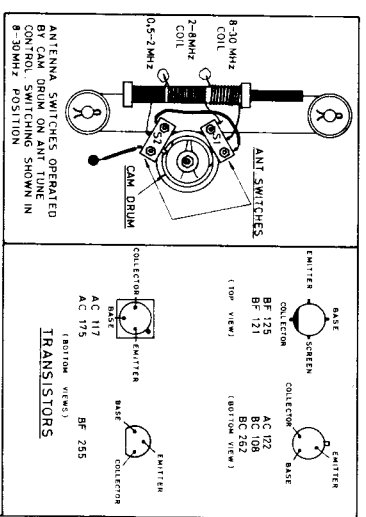
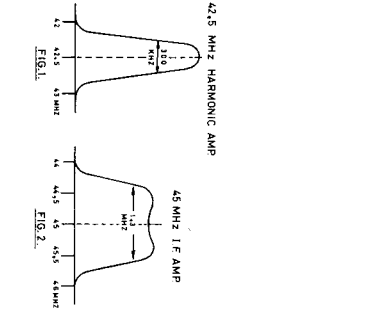
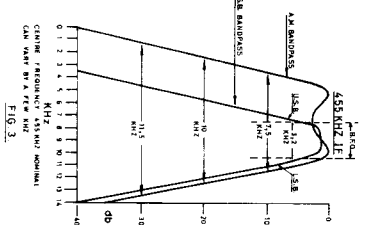
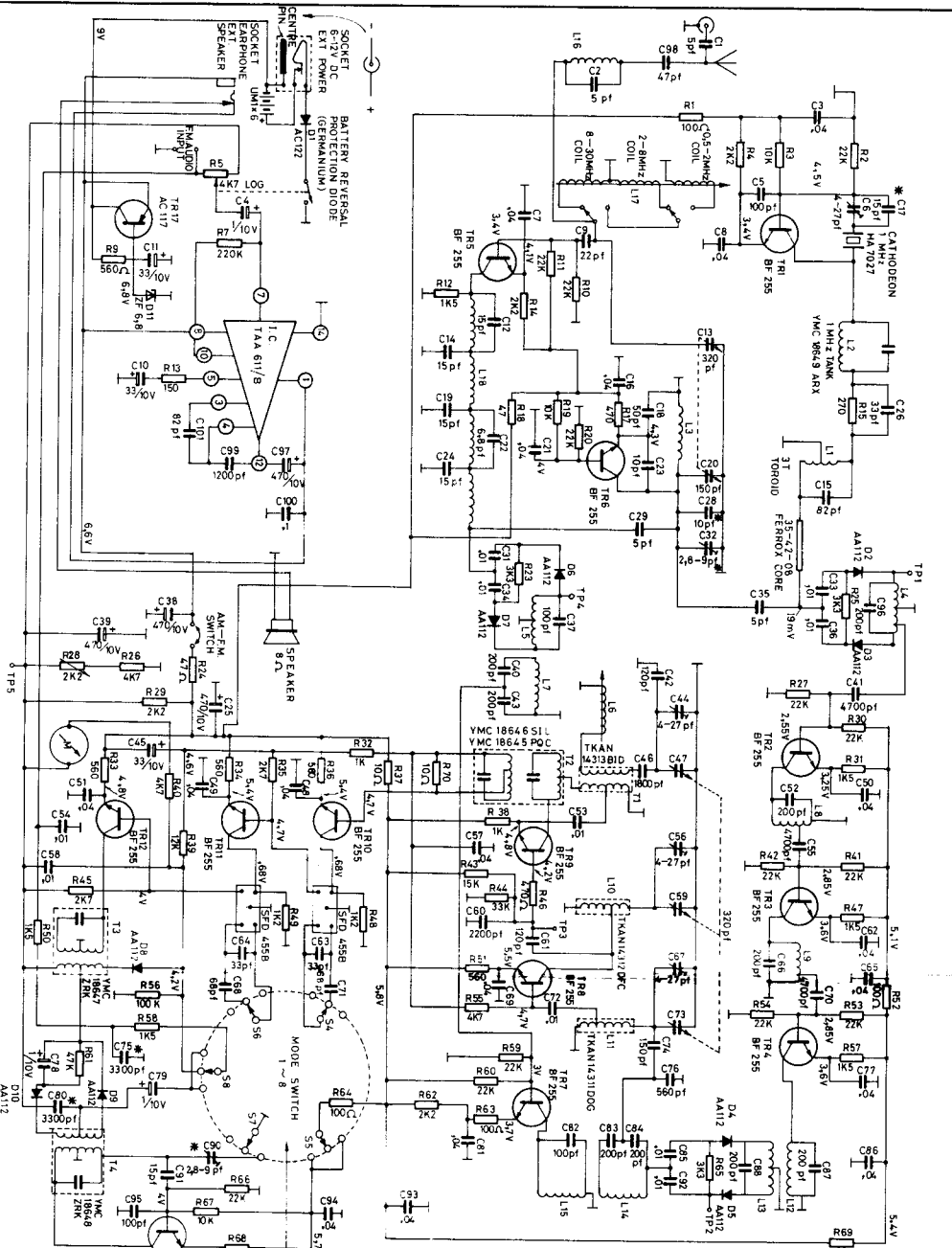


C	1	2	3	4	5	6	7	8	9	10	11	12	13	14	15	16	17	18	19	20	21	22	23	24	25	26	27	28	29	30	31	32	33	34	35	36	37	38	39	40	41	42	43	44	45	46	47	48	49	50	51	52	53	54	55	56	57	58	59	60	61	62	63	64	65	66	67	68	69	70	71	72	73	74	75	76	77	78	79	80	81	82	83	84	85	86	87	88	89	90	91	92	93	94	95	96	97	98	99	100
R	1	2	3	4	5	6	7	8	9	10	11	12	13	14	15	16	17	18	19	20	21	22	23	24	25	26	27	28	29	30	31	32	33	34	35	36	37	38	39	40	41	42	43	44	45	46	47	48	49	50	51	52	53	54	55	56	57	58	59	60	61	62	63	64	65	66	67	68	69	70	71	72	73	74	75	76	77	78	79	80	81	82	83	84	85	86	87	88	89	90	91	92	93	94	95	96	97	98	99	100



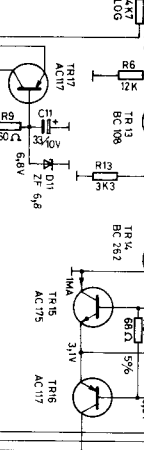
- DIODES**
- D1 AC 122 PROTECTION DIODE
 - D2, D3 AA112 MATCHED PARABALANCED MIXER (N°1)
 - D4, D5 AA112 MATCHED PARABALANCED MIXER (N°2)
 - D6, D7 AA112 MATCHED PARABALANCED MIXER (N°3)
 - D8 AA112 MATCHED PARABALANCED MIXER (N°4)
 - D9 AA112 MATCHED PARABALANCED MIXER (N°5)
 - D10 AA112 MATCHED PARABALANCED MIXER (N°6)
 - D11 ZF 6.8 VOLTAGE REGULATOR
 - D12 ZF 6.8 VOLTAGE REGULATOR

- NOTES**
- VOLTAGES SHOWN ON THIS DIAGRAM CAN VARY DEPENDING ON THE ACTUAL ZENER DIODE AND RESISTOR TOLERANCES, AND ARE NEGATIVE WITH RESPECT TO CHASSIS.
- ALL CAPACITOR VALUES ARE SHOWN IN μ F (MICROFARAD) EXCEPT THOSE INDICATED P1 (PICOFARAD).
- EFFORT IS MADE TO KEEP THIS DIAGRAM UP TO DATE WITH THE RIGHT RESISTOR DIFFERENT COMPONENTS OR AMEND THE CIRCUIT WITHOUT NOTICE.

- TRANSISTORS**
- TR1 HARMONIC GENERATOR
 - TR2, TR3, TR4 42.5 MHz HARMONIC AMP
 - TR5 R.F. AMP
 - TR6 FIRST OSC
 - TR7 45 MHz AMP
 - TR8 2 TO 3 MHz AMP
 - TR9 2 TO 3 MHz OSC MIXER
 - TR10, TR11, TR12 455 KHZ IF AMP
 - TR17 D.C. SUPPLY REGULATOR
 - TR18 B.F.O. OSCILLATOR

- MODIFICATIONS**
- 1 C75 - 680 2200 pF SERIAL N°S 0001 TO 0100 ONLY
 - 2 C76 - 470 TO 680 pF SERIAL N°S 0001 TO 0100 ONLY
 - 3 C77 - 330 TO 680 pF SERIAL N°S 0001 TO 0100 ONLY
 - 4 VALUE WITHIN PARENTHESES ON EARLY MODELS
 - 5 VALUE WITHIN PARENTHESES ON EARLY MODELS
 - 6 VALUE WITHIN PARENTHESES ON EARLY MODELS
 - 7 VALUE WITHIN PARENTHESES ON EARLY MODELS
 - 8 VALUE WITHIN PARENTHESES ON EARLY MODELS
 - 9 VALUE WITHIN PARENTHESES ON EARLY MODELS
 - 10 VALUE WITHIN PARENTHESES ON EARLY MODELS
 - 11 VALUE WITHIN PARENTHESES ON EARLY MODELS
 - 12 VALUE WITHIN PARENTHESES ON EARLY MODELS
 - 13 VALUE WITHIN PARENTHESES ON EARLY MODELS
 - 14 VALUE WITHIN PARENTHESES ON EARLY MODELS
 - 15 VALUE WITHIN PARENTHESES ON EARLY MODELS
 - 16 VALUE WITHIN PARENTHESES ON EARLY MODELS
 - 17 VALUE WITHIN PARENTHESES ON EARLY MODELS
 - 18 VALUE WITHIN PARENTHESES ON EARLY MODELS
 - 19 VALUE WITHIN PARENTHESES ON EARLY MODELS
 - 20 VALUE WITHIN PARENTHESES ON EARLY MODELS
 - 21 VALUE WITHIN PARENTHESES ON EARLY MODELS
 - 22 VALUE WITHIN PARENTHESES ON EARLY MODELS
 - 23 VALUE WITHIN PARENTHESES ON EARLY MODELS
 - 24 VALUE WITHIN PARENTHESES ON EARLY MODELS
 - 25 VALUE WITHIN PARENTHESES ON EARLY MODELS
 - 26 VALUE WITHIN PARENTHESES ON EARLY MODELS
 - 27 VALUE WITHIN PARENTHESES ON EARLY MODELS
 - 28 VALUE WITHIN PARENTHESES ON EARLY MODELS
 - 29 VALUE WITHIN PARENTHESES ON EARLY MODELS
 - 30 VALUE WITHIN PARENTHESES ON EARLY MODELS
 - 31 VALUE WITHIN PARENTHESES ON EARLY MODELS
 - 32 VALUE WITHIN PARENTHESES ON EARLY MODELS
 - 33 VALUE WITHIN PARENTHESES ON EARLY MODELS
 - 34 VALUE WITHIN PARENTHESES ON EARLY MODELS
 - 35 VALUE WITHIN PARENTHESES ON EARLY MODELS
 - 36 VALUE WITHIN PARENTHESES ON EARLY MODELS
 - 37 VALUE WITHIN PARENTHESES ON EARLY MODELS
 - 38 VALUE WITHIN PARENTHESES ON EARLY MODELS
 - 39 VALUE WITHIN PARENTHESES ON EARLY MODELS
 - 40 VALUE WITHIN PARENTHESES ON EARLY MODELS
 - 41 VALUE WITHIN PARENTHESES ON EARLY MODELS
 - 42 VALUE WITHIN PARENTHESES ON EARLY MODELS
 - 43 VALUE WITHIN PARENTHESES ON EARLY MODELS
 - 44 VALUE WITHIN PARENTHESES ON EARLY MODELS
 - 45 VALUE WITHIN PARENTHESES ON EARLY MODELS
 - 46 VALUE WITHIN PARENTHESES ON EARLY MODELS
 - 47 VALUE WITHIN PARENTHESES ON EARLY MODELS
 - 48 VALUE WITHIN PARENTHESES ON EARLY MODELS
 - 49 VALUE WITHIN PARENTHESES ON EARLY MODELS
 - 50 VALUE WITHIN PARENTHESES ON EARLY MODELS
 - 51 VALUE WITHIN PARENTHESES ON EARLY MODELS
 - 52 VALUE WITHIN PARENTHESES ON EARLY MODELS
 - 53 VALUE WITHIN PARENTHESES ON EARLY MODELS
 - 54 VALUE WITHIN PARENTHESES ON EARLY MODELS
 - 55 VALUE WITHIN PARENTHESES ON EARLY MODELS
 - 56 VALUE WITHIN PARENTHESES ON EARLY MODELS
 - 57 VALUE WITHIN PARENTHESES ON EARLY MODELS
 - 58 VALUE WITHIN PARENTHESES ON EARLY MODELS
 - 59 VALUE WITHIN PARENTHESES ON EARLY MODELS
 - 60 VALUE WITHIN PARENTHESES ON EARLY MODELS
 - 61 VALUE WITHIN PARENTHESES ON EARLY MODELS
 - 62 VALUE WITHIN PARENTHESES ON EARLY MODELS
 - 63 VALUE WITHIN PARENTHESES ON EARLY MODELS
 - 64 VALUE WITHIN PARENTHESES ON EARLY MODELS
 - 65 VALUE WITHIN PARENTHESES ON EARLY MODELS
 - 66 VALUE WITHIN PARENTHESES ON EARLY MODELS
 - 67 VALUE WITHIN PARENTHESES ON EARLY MODELS
 - 68 VALUE WITHIN PARENTHESES ON EARLY MODELS
 - 69 VALUE WITHIN PARENTHESES ON EARLY MODELS
 - 70 VALUE WITHIN PARENTHESES ON EARLY MODELS
 - 71 VALUE WITHIN PARENTHESES ON EARLY MODELS
 - 72 VALUE WITHIN PARENTHESES ON EARLY MODELS
 - 73 VALUE WITHIN PARENTHESES ON EARLY MODELS
 - 74 VALUE WITHIN PARENTHESES ON EARLY MODELS
 - 75 VALUE WITHIN PARENTHESES ON EARLY MODELS
 - 76 VALUE WITHIN PARENTHESES ON EARLY MODELS
 - 77 VALUE WITHIN PARENTHESES ON EARLY MODELS
 - 78 VALUE WITHIN PARENTHESES ON EARLY MODELS
 - 79 VALUE WITHIN PARENTHESES ON EARLY MODELS
 - 80 VALUE WITHIN PARENTHESES ON EARLY MODELS
 - 81 VALUE WITHIN PARENTHESES ON EARLY MODELS
 - 82 VALUE WITHIN PARENTHESES ON EARLY MODELS
 - 83 VALUE WITHIN PARENTHESES ON EARLY MODELS
 - 84 VALUE WITHIN PARENTHESES ON EARLY MODELS
 - 85 VALUE WITHIN PARENTHESES ON EARLY MODELS
 - 86 VALUE WITHIN PARENTHESES ON EARLY MODELS
 - 87 VALUE WITHIN PARENTHESES ON EARLY MODELS
 - 88 VALUE WITHIN PARENTHESES ON EARLY MODELS
 - 89 VALUE WITHIN PARENTHESES ON EARLY MODELS
 - 90 VALUE WITHIN PARENTHESES ON EARLY MODELS
 - 91 VALUE WITHIN PARENTHESES ON EARLY MODELS
 - 92 VALUE WITHIN PARENTHESES ON EARLY MODELS
 - 93 VALUE WITHIN PARENTHESES ON EARLY MODELS
 - 94 VALUE WITHIN PARENTHESES ON EARLY MODELS
 - 95 VALUE WITHIN PARENTHESES ON EARLY MODELS
 - 96 VALUE WITHIN PARENTHESES ON EARLY MODELS
 - 97 VALUE WITHIN PARENTHESES ON EARLY MODELS
 - 98 VALUE WITHIN PARENTHESES ON EARLY MODELS
 - 99 VALUE WITHIN PARENTHESES ON EARLY MODELS
 - 100 VALUE WITHIN PARENTHESES ON EARLY MODELS

- NOTE: TRANSISTORS TR1 - TR12 & TR18 WERE BF 71 & BF 125 ON EARLIER MODELS.**



BARLOWS TELEVISION COMPANY

7470

DATE: 3/1/74

DESIGNER: S. F. H. (S. F. H. & S. F. H.)

DRAWN: S. F. H. (S. F. H. & S. F. H.)

CHECKED: S. F. H. (S. F. H. & S. F. H.)

SCALE: 1:1

NO. OF SHEETS: 1

TITLE: CIRCUIT DIAGRAM MKII

PROJECT: BARLOW WADLEY XR 800 C

NEW MODEL